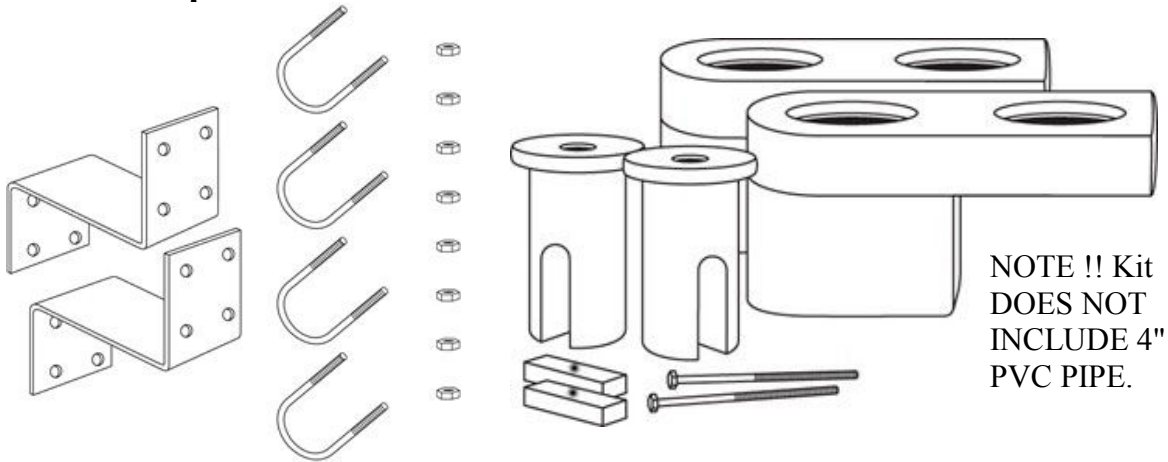
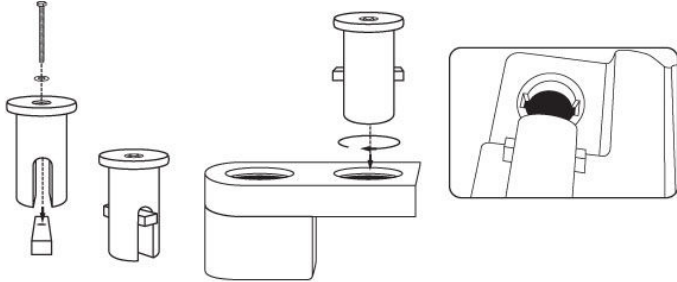


External Pipe Holder Kit

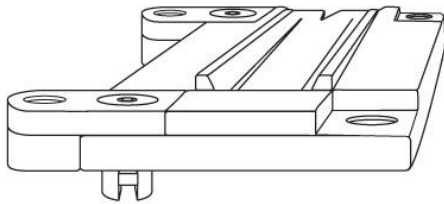


NOTE !! Kit
DOES NOT
INCLUDE 4"
PVC PIPE.

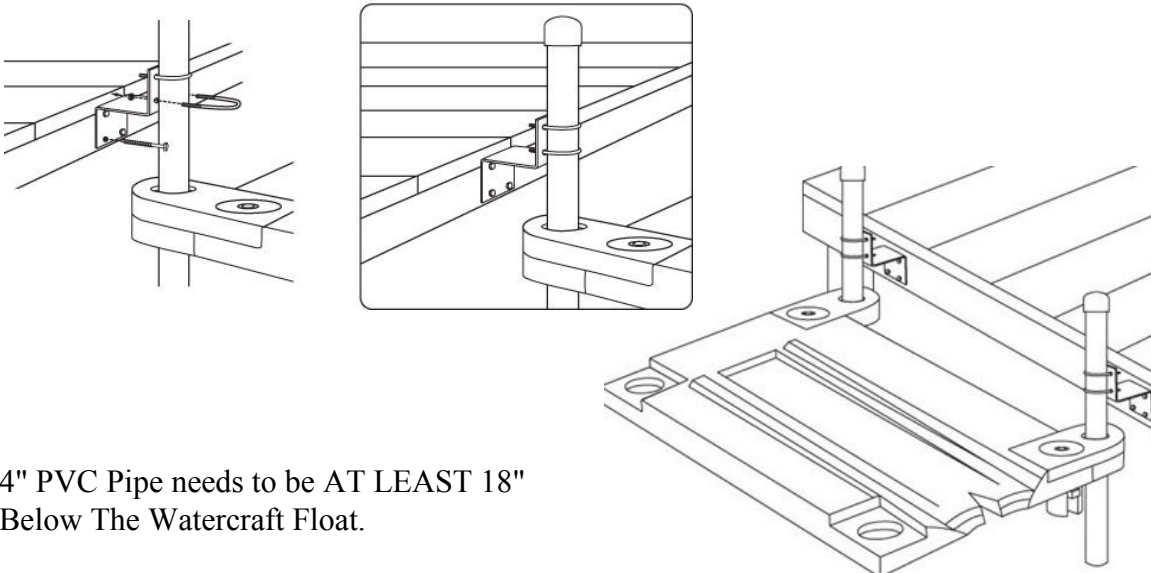
Parts List: two HDG "Z" Brackets, Four U Bolts with Nuts & Washers, Two External Pipe Holders, 2 Structure Plugs, 2 UHMW Blocks with 1/2" Bolts



External Pipe Holder Side
Mount Attachment Kit needs
to be installed above flood
level.



The Z brackets need to be at
least 14" above waterline.



4" PVC Pipe needs to be AT LEAST 18"
Below The Watercraft Float.